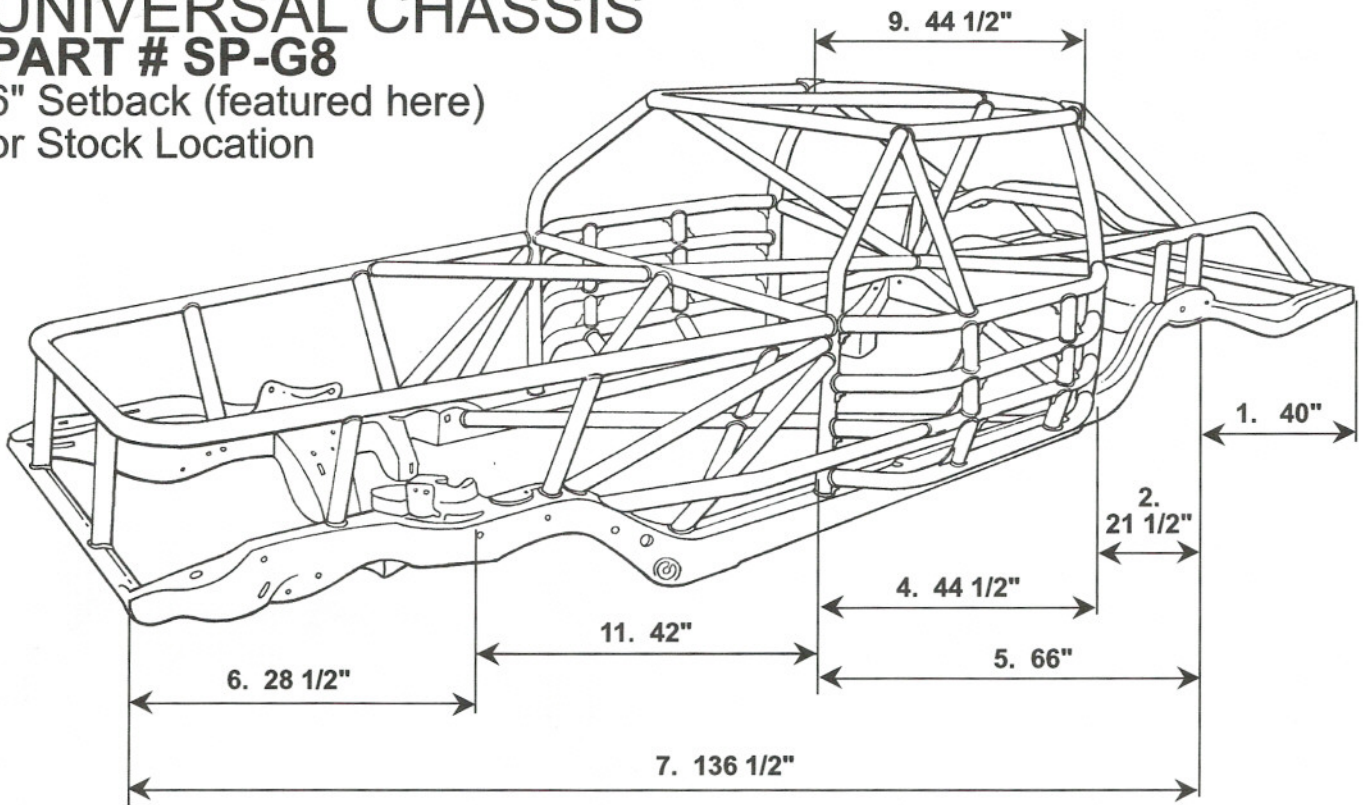


CHEVY STOCKER UNIVERSAL CHASSIS

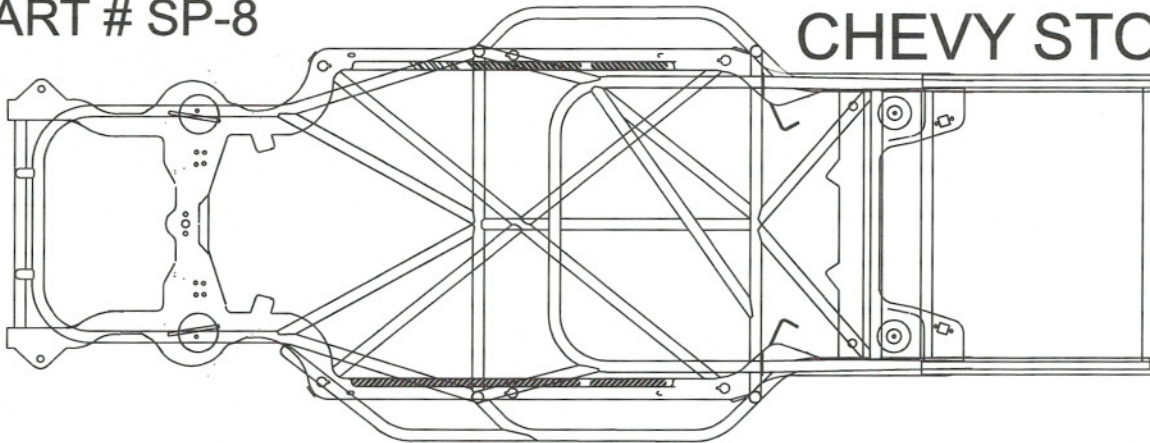
PART # SP-G8

6" Setback (featured here)
or Stock Location



PART # SP-8

CHEVY STOCKER



The SP-G8 is a fully welded chassis, built on a '78 or newer GM frame (108" wheel base). It is production built and kept in stock for immediate shipment. In the 'SP-G' version no changes are permitted which is why it is very reasonably priced. The only choice you have when ordering this G8 version is whether you have the cage in stock location to take almost any stock body from a 108" wheel base car or order it with a 6" cage set back to take any "After Market" body that can be lengthened or shortened to fit a 108" wheel base frame.

If this style of chassis suits your class rules but you wish to use a different frame you would order part # SP-8 and discuss your requirements with a chassis salesperson. The base price is slightly higher and the chassis you specify will be priced according to the modifications that you require.