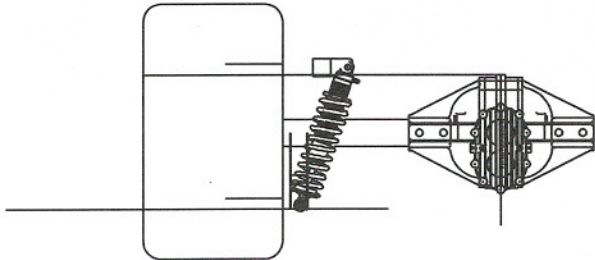


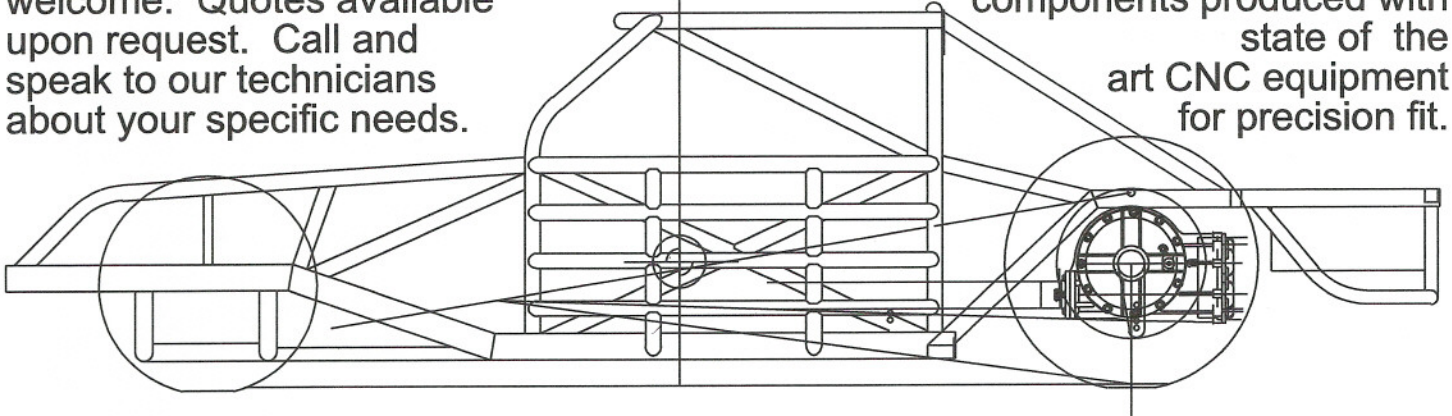
FABRICATED TUBE CHASSIS'

Fabricated tubular chassis and suspension components available for all types of racing activity.

Short oval Late Model available in Straight up or Offset versions.
Road course chassis' for GT-1 or Trans Am racing built as full perimeter frames.



Custom fabrication inquiries welcome. Quotes available upon request. Call and speak to our technicians about your specific needs.



All design work done in AutoCAD. Critical suspension components produced with state of the art CNC equipment for precision fit.