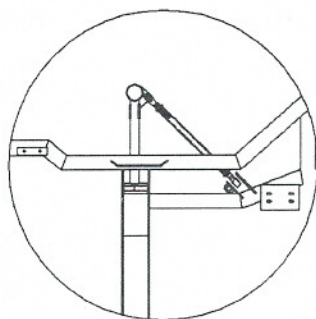
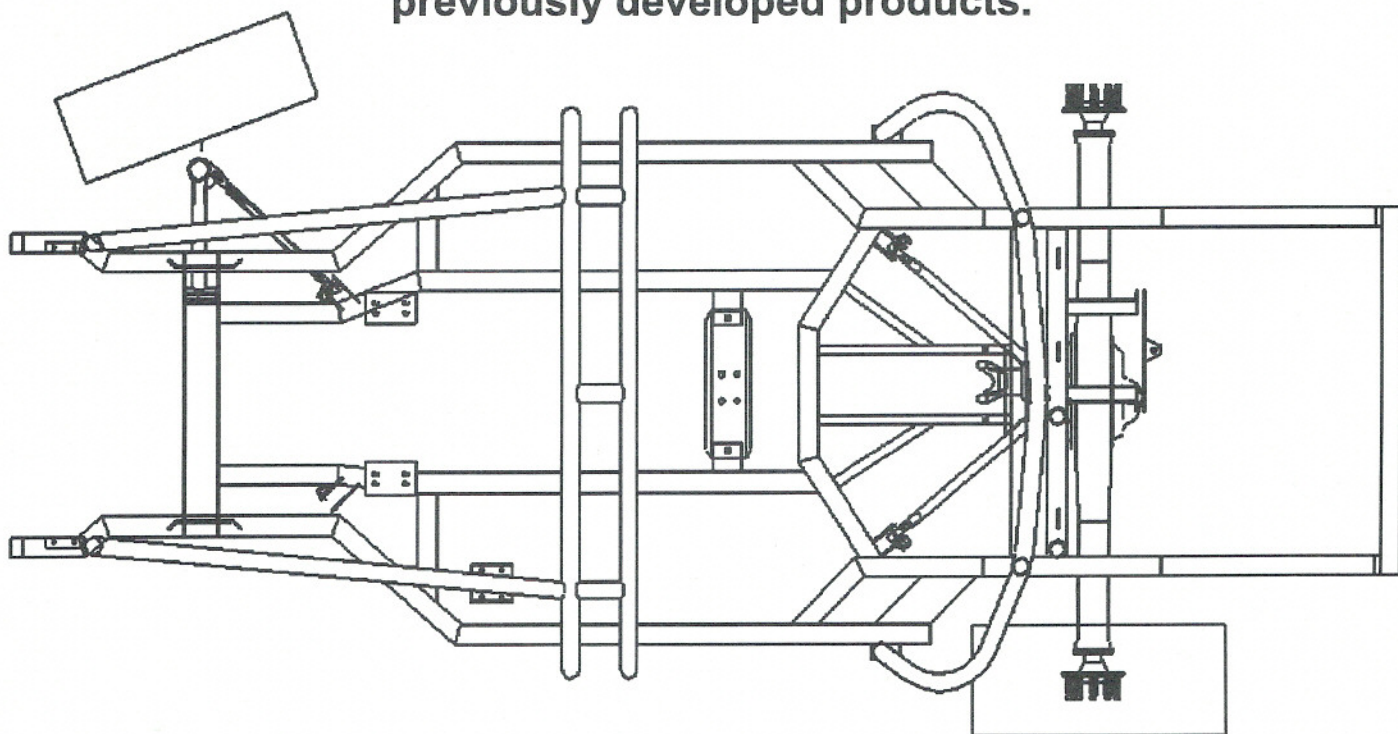
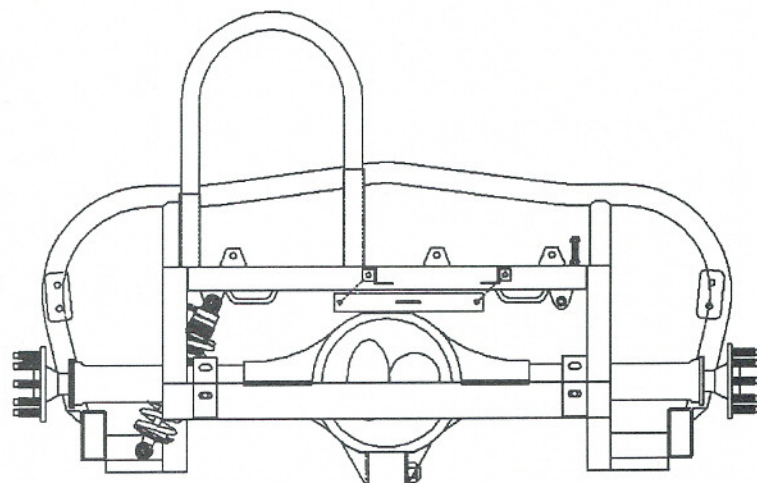


CSC COBRA CHASSIS

CSC Racing Products relationship with COBRA kit cars began over two decades ago with the design of a tubular chassis for the 427 Cobra replica. CSC continues to advance the engineering of its previously developed products.



CSC offers a variety of suspension packages for the 427 that we manufacture.



The chassis includes a Bolt on 3 point SC Roll bar, sheet metal floors, drop foot pans and rear fire wall installed, all brackets from bumper to bumper for suspension, engine, tranny, doors, rad, battery, fuel tank, seat belts etc.etc.

